



Alfa Laval T25

Gasketed plate-and-frame heat exchanger for a wide range of applications

Introduction

Alfa Laval Industrial line is a wide product range that is used in virtually all types of industry.

Designed for high throughput, this model delivers excellent thermal performance. A large selection of plate and gasket types is available.

Applications

- Biotech and Pharmaceutical
- Chemicals
- Energy and Utilities
- Food and Beverages
- Home and Personal care
- HVAC and Refrigeration
- Machinery and Manufacturing
- Marine and Transportation
- Mining, Minerals and Pigments
- Pulp and Paper
- Semiconductor and Electronics
- Steel
- Water and Waste treatment

Benefits

- High energy efficiency – low operating cost
- Flexible configuration – heat transfer area can be modified
- Easy to install – compact design
- High serviceability – easy to open for inspection and cleaning and easy to clean by CIP
- Access to Alfa Laval's global service network

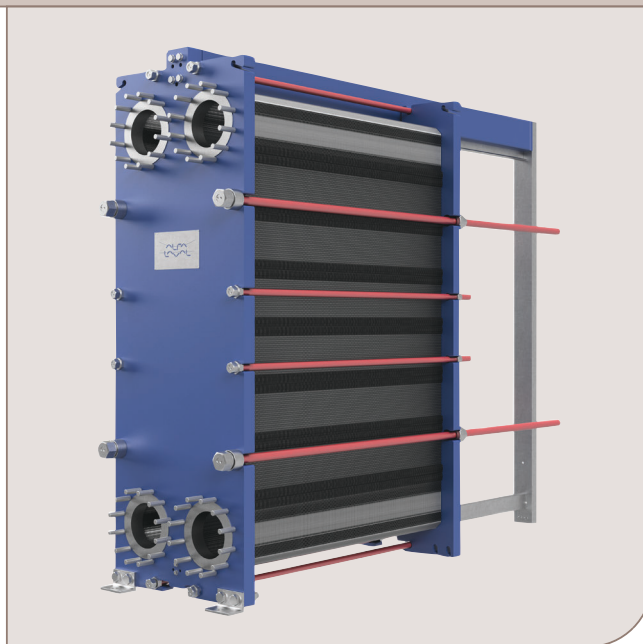
Features

Every detail is carefully designed to ensure optimal performance, maximum uptime and easy maintenance.

Selection of available features:



- Five-point alignment system
- T-bar roller design
- CurveFlow™ distribution area
- PowerArc
- ClipGrip™ gasket
- Offset gasket groove
- OmegaPort
- Leak chamber



- Bearing box
- Fixed bolt head
- Key hole bolt opening
- Lifting lug
- Lining
- Lock washer
- Tightening bolt cover

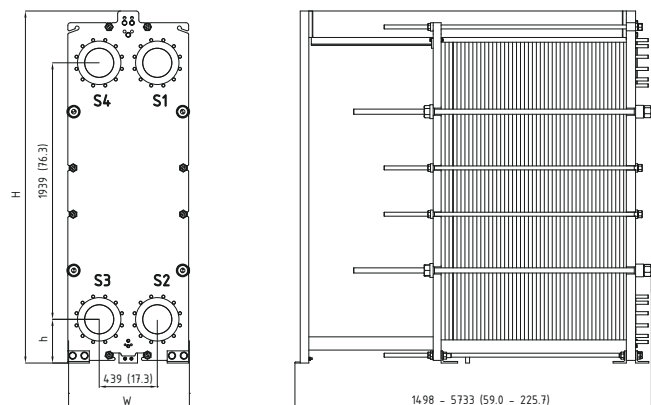
Alfa Laval 360° Service Portfolio

Our extensive service offering ensure top performance from your Alfa Laval equipment throughout its life cycle. The Alfa Laval 360 Service Portfolio include installation services, cleaning and repair as well as spare parts, technical documentation and trouble shooting. We also offer replacement, retrofit, monitoring and much more.

For information about our complete service offering and how to contact us - please visit www.alfalaval.com/service.

Dimensional drawing

Measurements mm (inches)



Type	H	W	h
T25-FG pvcALS, ASME, PED	2661 (104.8")	913 (35.9")	331 (13.0")
T25-FD pvcALS, PED	2711 (106.7")	913 (35.9")	331 (13.0")
T25-FD ASME	2711 (106.7")	942 (37.1")	331 (13.0")
T25-FS pvcALS	2711 (106.7")	913 (35.9")	331 (13.0")
T25-FS ASME	2711 (106.7")	942 (37.1")	331 (13.0")

The number of tightening bolts may vary depending on pressure rating.

Technical data

Plates	Type	Free channel, mm (inches)
T25-B	Single plate	2.00 (0.079)
T25-P	Single plate	2.90 (0.114)

Materials

Heat transfer plates	304/304L, 316/316L Ti
Field gaskets	NBR, EPDM
Flange connections	Metal lined: stainless steel, Alloy 254, titanium
Frame and pressure plate	Carbon steel, epoxy painted

Other materials may be available on request.

All option combinations may not be configurable.

Operational data

Frame, PV-code	Max. design pressure (barg/psig)	Max. design temperature (°C/°F)
FG, pvcALS	16.0/232	180/356
FG, ASME	10.4/151	250/482
FG, PED	16.0/232	150/302
FD, pvcALS	25.0/363	180/356
FD, ASME	20.7/300	250/482
FD, PED	25.0/362	180/356
FS, pvcALS	30.0/434	180/356
FS, ASME	27.6/400	250/482

Extended pressure and temperature rating may be available on request.

This document and its contents is owned by Alfa Laval Corporate AB and protected by laws governing intellectual property and thereto related rights. It is the responsibility of the user of this document to comply with all applicable intellectual property laws. Without limiting any rights related to this document, no part of this document may be copied, reproduced or transmitted in any form or by any means (electronic, mechanical, photocopying, recording, or otherwise), or for any purpose, without the expressed permission or authorized by Alfa Laval Corporate AB. Alfa Laval Corporate AB will enforce its rights related to this document to the fullest extent of the law, including the seeking of criminal prosecution.

200000069-2-EN-GB

© Alfa Laval Corporate AB

How to contact Alfa Laval

Up-to-date Alfa Laval contact details for all countries are always available on our website at www.alfalaval.com

Flange connections

Frame model	Connection standard
FG, pvcALS	EN 1092-1 DN200 PN16
	EN 1092-1 DN250 PN16
	ASME B16.5 Class 150 NPS 8
	ASME B16.5 Class 150 NPS 10
	JIS B2220 10K 200A JIS B2220 10K 250A JIS B2220 16K 200A/250A
FG, ASME	ASME B16.5 Class150 NPS 8
	ASME B16.5 Class150 NPS 10
FG, PED	EN 1092-1 DN200 PN16
	EN 1092-1 DN250 PN16
	ASME B16.5 Class 150 NPS 8 ASME B16.5 Class 150 NPS 10
FD, pvcALS	EN 1092-1 DN200 PN25
	EN 1092-1 DN250 PN25
	ASME B16.5 Class 300 NPS 8
	ASME B16.5 Class 300 NPS 10
	JIS B2220 20K 200A JIS B2220 20K 250A
FD, ASME	ASME B16.5 Class 300 NPS 8
	ASME B16.5 Class 300 NPS 10
FD, PED	EN 1092-1 DN200 PN25
	EN 1092-1 DN250 PN25
	ASME B16.5 Class 300 NPS 8
	ASME B16.5 Class 300 NPS 10
FS, pvcALS	EN 1092-1 DN200 PN40
	EN 1092-1 DN250 PN40
	ASME B16.5 Class 400 NPS 8
	ASME B16.5 Class 400 NPS 10
	JIS B2220 30K 200A JIS B2220 30K 250A
FS, ASME	ASME B16.5 Class 300 NPS 8
	ASME B16.5 Class 300 NPS 10

Standard EN1092-1 corresponds to GOST 12815-80 and GB/T 9115.