



## Alfa Laval AlfaNova 200 / HP 200

### Fusion-bonded plate heat exchanger in 100% stainless steel

Alfa Laval AlfaNova fusion-bonded plate heat exchangers are made of 100% stainless steel. They are suitable for applications which place high demand on cleanliness, applications where aggressive media like ammonia are used or where copper and nickel contamination is unacceptable.

AlfaNova provides efficient heat transfer with a small footprint, has an extreme pressure fatigue resistance and covers high temperatures, up to 550°C/1022°F.

#### Application

Suitable for a wide range of applications, such as:

- HVAC heating and cooling
- Refrigeration
- Oil cooling
- Industrial heating and cooling
- Process heating and cooling

#### Benefits

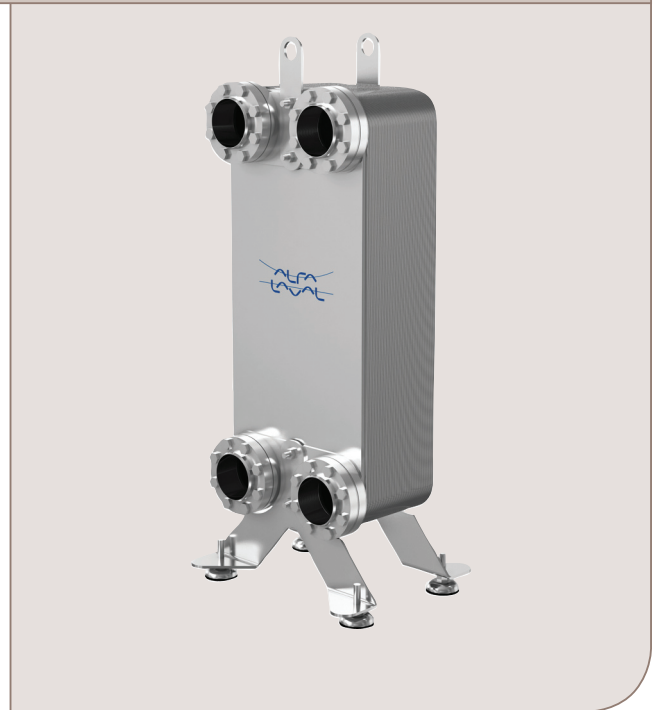
- Compact
- Easy to install
- Self-cleaning
- Low level of service and maintenance is required
- All units are pressure and leak tested
- Gasket free
- Copper free

#### Design

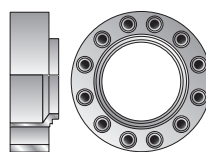
The AlfaFusion filler material seals and holds the plates together at the contact points ensuring optimal heat transfer efficiency and pressure resistance. Using advanced design technologies and extensive verification guarantees the highest performance and longest possible service life.

Different pressure ratings are available for different needs.

Based on standard components and a modular concept, each unit is custom-built to meet the specific requirements of each individual installation.



#### Examples of connections



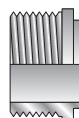
Compact flange



Welding



Clamp



External thread

## Technical Data

### Standard materials

Cover plates	Stainless steel
Connections	Stainless steel
Plates	Stainless steel
AlfaFusion filler	Stainless steel

### Dimensions and weight<sup>1</sup>

A measure (mm)	$9.3 + (2.85 * n)$
A measure (inches)	$0.37 + (0.11 * n)$
Weight (kg) <sup>2</sup>	$12 + (0.75 * n)$
Weight (lb) <sup>2</sup>	$26.46 + (1.65 * n)$

- n = number of plates
- Excluding connections

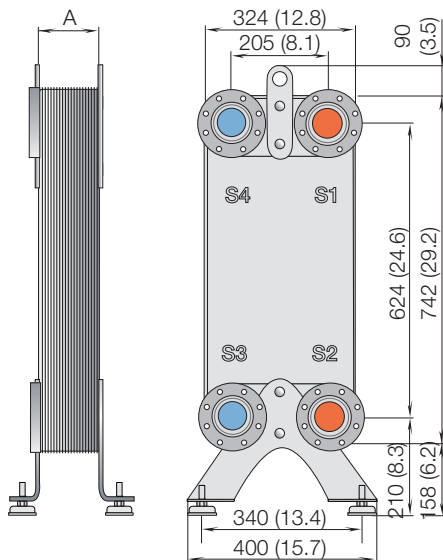
### Standard data

Volume per channel, litres (gal)	0.51 (0.13)
Max. particle size, mm (inch)	1 (0.04)
Max. flowrate <sup>1</sup> m <sup>3</sup> /h (gpm)	128
Flow directions	Parallel
Min. number of plates	10
Max. number of plates	230

- Water at 5 m/s (16.4 ft/s) (connection velocity)

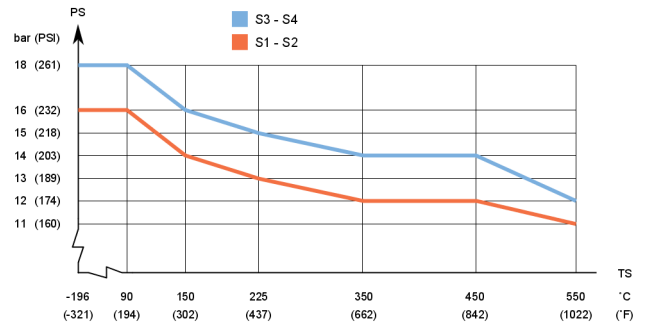
## Dimensional Drawing

mm (inches)

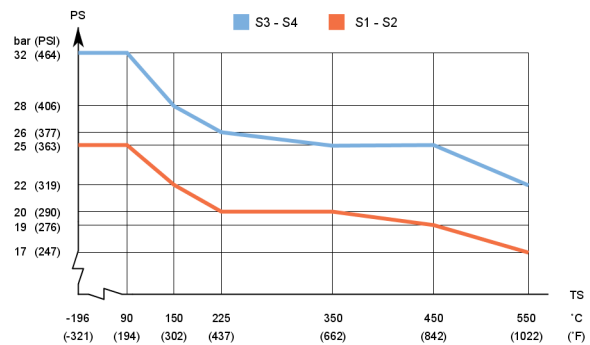


## Design pressure and temperature

AlfaNova 200 – PED approval pressure/temperature graph <sup>1)</sup>



AlfaNova HP 200 – PED approval pressure/temperature graph <sup>1)</sup>



Designed for full vacuum.

Alfa Laval plate heat exchangers are available with a wide range of pressure vessel approvals. Please contact your Alfa Laval representative for more information.

**NOTE:** Values above are to be used as an indication. For exact values, please use the drawing generated by the Alfa Laval configurator or contact your local Alfa Laval representative.

### How to contact Alfa Laval

Contact details for all countries are continually updated on our website. Please visit [www.alfalaval.com](http://www.alfalaval.com) to access the information direct.